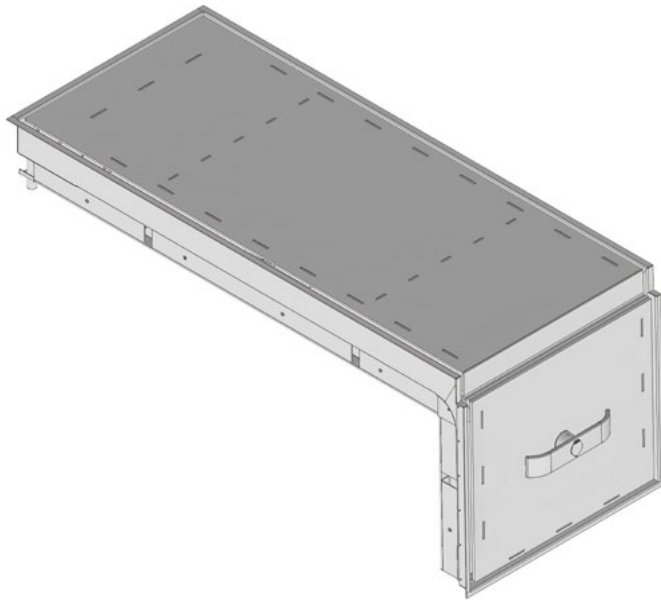


Hatches 2391.18



model	A (mm/inch)	B (mm/inch)	C (mm/inch)	L (mm/inch)	H (mm/inch)	S (mm/inch)	α	weather proof ISO 12216:2023
2391/18	505 19 ⁹ / ₁₆	1085 42 ⁷ / ₁₆	620 24 ¹ / ₂	665 26 ¹ / ₈	1555 61 ¹ / ₈	190 7 ¹ / ₂	64°	CAT 2

Door with upward manual opening by means of gas springs and closing by means of four manual locking pins.

This door can be certified in compliance with RINA/BUREAU VERITAS/LLOYDS requirements, upon request.

ATTENTION! In case of certification request, dimensions and technical specifications may undergo significant variations.

Please get in touch with our technical department to verify possible certifications.

The doors are subject to quality control tests to comply ISO 12216.2023 standards.

