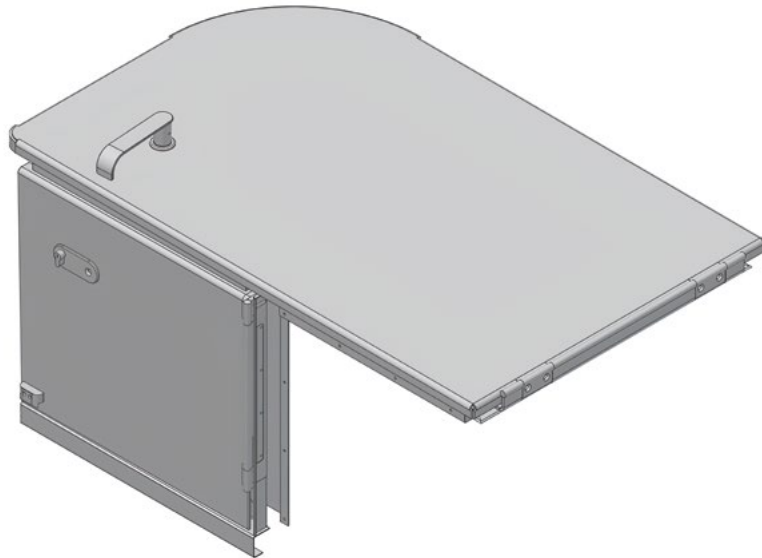


Companionway 2540.02



model	A (mm/ inch)	B (mm/ inch)	C (mm/ inch)	D (mm/ inch)	E (mm/ inch)	F (mm/ inch)	R (mm/ inch)	L (mm/ inch)	Le (mm/ inch)	H (mm/ inch)	He (mm/ inch)	S (mm/ inch)	Se (mm/ inch)	α	β	weather proof ISO 12216:2023
2540/02	640 25 ¹ / ₈	870 34 ¹ / ₈	450 17 ⁷ / ₁₆	460 18 ¹ / ₁₆	455 18"	605 23 ³ / ₈	340 13 ³ / ₈	1170 46"	1295 50 ⁹ / ₁₆	480 18 ⁹ / ₁₆	710 28"	90 3 ¹ / ₂	145 5 ⁷ / ₁₆	74°	86°	CAT 2

Manual companionway with hinged double opening.
The companionway is composed of a horizontal hatch and of a vertical one, both hinged.
The vertical door has a 90° opening, the horizontal door opens upwards by means of gas springs.

The companionways are subject to quality control tests to comply with ISO 12216.2023 standards.

NOTE: Sx→Dx, Sx←Dx

The sliding doors opening direction is always considered from the outside of the boat.

