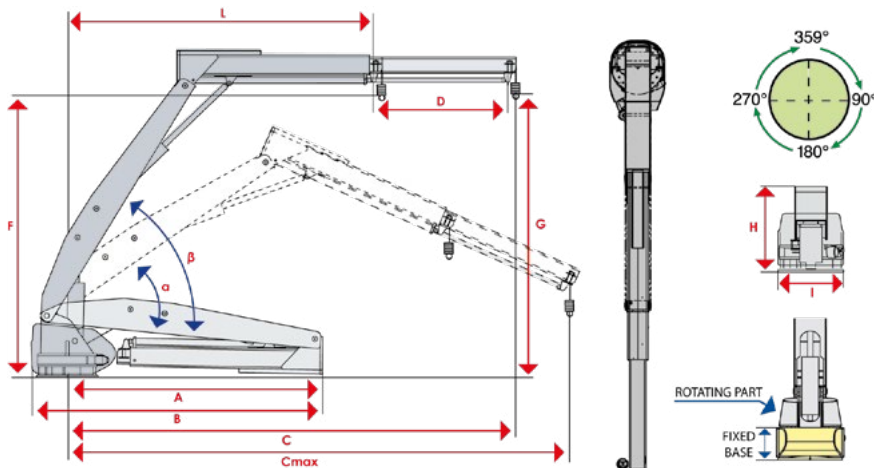


ELBOW CRANES model 3075/76/77/78/79

loading capacity 300 Kg to 2000 Kg



model	A (mm/inch)	B (mm/inch)	C (mm/inch)	Cmax (mm/inch)	D (mm/inch)	F (mm/inch)	G (mm/inch)	H (mm/inch)	I (mm/inch)	L (mm/inch)	α	β	Cable lenght (mm/inch)	Capacity standard (kg/lbs)	Weight (kg/lbs)
3075/30	1700 67"	2020 79"	2830 111"	3030 119"	920 36"	2030 80"	2060 81"	575 22 ³ / ₈ "	485 19"	1900 75"	69°	68,5°	4400 173" 3500 138"	300/700 500/1100	388/850
3075/37	1960 77"	2280 90"	3400 134"	3880 153"	1060 44"	2235 88"	2235 88"	575 22 ³ / ₈ "	485 19"	2290 90"	45°	65°	5700 224" 4500 177"	300/700 500/1100	434/950
3075/37.01	1960 77"	2280 90"	3350 132"	3830 151"	1060 41 ³ / ₈ "	2620 103 ³ / ₈ "	2820 111"	575 22 ³ / ₈ "	485 19"	1850 73"	45°	70°	5700 224" 4500 177"	300/700 500/1100	434/950
3076/34	2015 79"	2330 91"	3550 140"	4070 160"	1110 44"	2245 88"	2245 88"	665 25 ⁷ / ₈ "	660 26"	2440 96"	40°	64°	5700 224"	500/1100 800/1800	760/1670
3078C45 certified 2.2	2800 110"	3180 125"	4415 174"	5090 200"	1100 43"	3200 126"	3300 130"	831 32 ³ / ₈ "	800 31 ¹ / ₂ "	3385 133 ³ / ₈ "	62°	40°	7800 307"	500/1100	1390/3060
3078/41	2618 103"	2949 116"	4108 162"	4765 187 ¹ / ₂ "	950 37 ¹ / ₂ "	3122 123"	3122 123"	795 31 ¹ / ₈ "	580 22 ³ / ₈ "	3082 121"	40°	64°	7000 275 ¹ / ₂ "	550/1212	1310/2885
3077/42	2400 95"	2740 108"	4225 166"	4710 185"	1260 50"	2600 102"	2600 102"	740 29 ¹ / ₈ "	580 22 ³ / ₈ "	2970 117"	40°	64°	5400 213" 6800 268"	1000/2200 800/1800	950/2100
3077/35	2115 83 ³ / ₈ "	2455 96 ³ / ₈ "	3540 139 ³ / ₈ "	3950 155 ³ / ₈ "	950 37 ³ / ₈ "	2480 97 ³ / ₈ "	2490 98"	740 29 ¹ / ₈ "	580 22 ³ / ₈ "	2400 94 ¹ / ₂ "	40°	64°	4500 177"	800/1800	700/1540
3078/35	2370 93"	2700 106"	3600 142"	3800 150"	750 30"	2680 106"	2720 107"	770 30 ³ / ₈ "	600 23 ³ / ₈ "	2815 111"	36°	61°	6000 236 ³ / ₈ "	1200/2645	990/2180
3078/45	2765 109"	3110 123"	4540 179"	5170 203"	1100 43"	3010 118 ³ / ₈ "	3040 119 ³ / ₈ "	795 31 ¹ / ₈ "	580 22 ³ / ₈ "	3440 135"	40°	64°	7800 307"	1200/2650	1050/2315
3078/50	2925 115"	3230 127 ¹ / ₈ "	4560 180"	5210 205 ¹ / ₈ "	1100 43"	3230 127"	3230 127"	795 31 ¹ / ₈ "	580 22 ³ / ₈ "	3460 136"	40°	64°	7800 307"	1500/3300	1780/3920
3079/45	2800 110 ³ / ₈ "	3150 124"	4420 174"	5140 202 ³ / ₈ "	950 37 ¹ / ₂ "	3622 142 ³ / ₈ "	3622 142 ³ / ₈ "	1010 39 ³ / ₈ "	832 32"	3082 121"	40,5°	64,5°	6000 236"	2000/4409	2800/6173



This crane can be certified for rescue boats and can be produced in compliance with S.O.L.A.S. requirements, upon request.

ATTENTION! In case of certification request, dimensions and technical specifications may undergo significant variations.

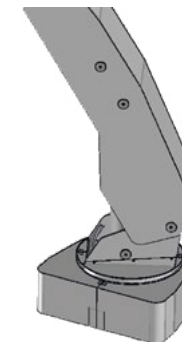
Please contact our Technical Department for information about the available certifications for the different crane models.

Standard rotation 359°.

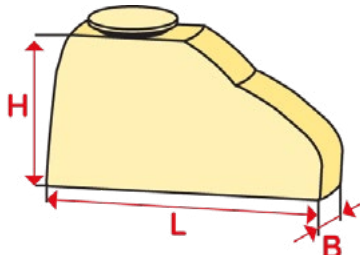
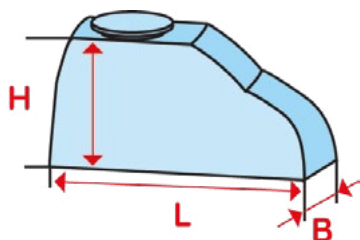
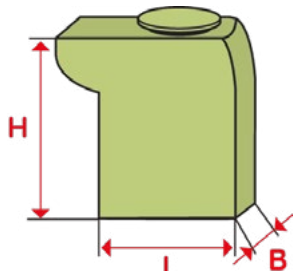
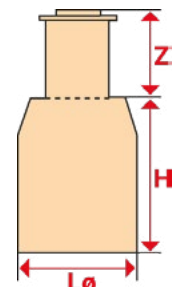
Optional covers.

- LEAD TIME TO BE CONFIRMED

These cranes can be certified by RINA SERVICE, BUREAU VERITAS, LLOYD REGISTER.



SLEWING FLYBRIDGE CRANE BASES

	SLEWING	H (mm/inch)	B (mm/inch)	L (mm/inch)	Z (mm/inch)	control unit position	crane/bases matching table
	AL 180° 359° STANDARD	580 33"	460 18" MAX	1040 41"	-	With built in hydraulic unit	3010 - 3023 3024 - 3026 3030 - 3031 3034 - 3035 3036
	BS2 180° 359°	470 17"	460 18" MAX	1035 40"	-	With external control unit	3010 - 3023 3024 - 3026 3030 - 3031 3034 - 3035
	BS4 180° 359°	300 12"	"	1047 41"	-	With built in hydraulic unit	3036 - 3048 3075 - 3076
	QL1 180° 359°	580 33"	460 18"	460 18"	-	With external control unit	3010 - 3023 3024 - 3026 3030 - 3031 3034 - 3035 3036
	QL2 (OPTIONAL)	280 13" MIN 580 23" MAX	460 18"	460 18"	-		
	CT1 180°	CT1 180° Customised dimensions				With external control unit	22/50