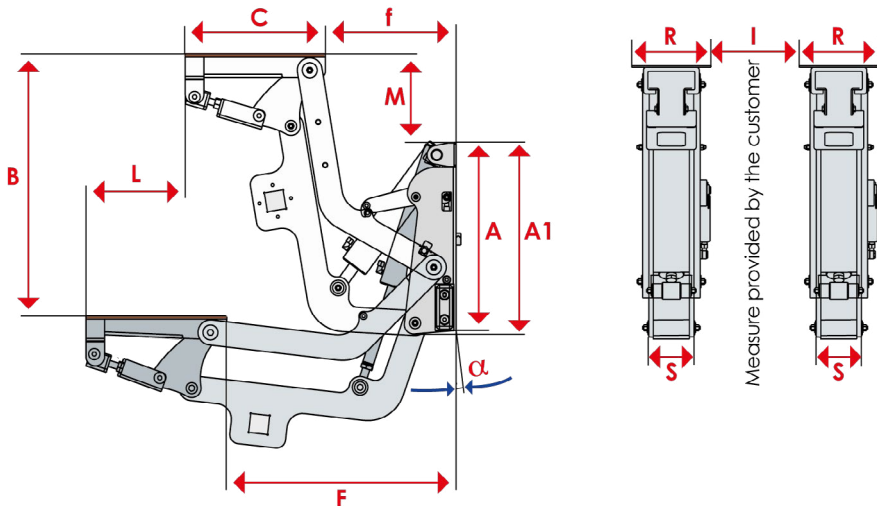


TENDER LIFT 5222/23/25

loading capacity 350 to 700 Kg

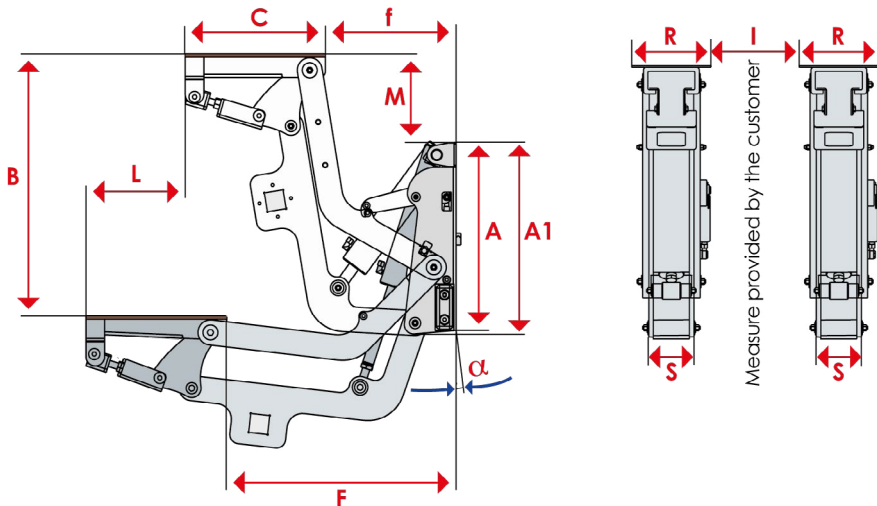


model	A (mm/inch)	A1 (mm/inch)	B (mm/inch)	C (mm/inch)	F (mm/inch)	f (mm/inch)	L (mm/inch)	M (mm/inch)	R (mm/inch)	S (mm/inch)	α	capacity standard (kg/lbs)	capacity optional (kg/lbs)
5225/10.01	420 16" 1/2	600 23" 3/8	955 37" 3/8	525 20" 3/8	750 29" 1/2	230 9"	510 20"	290 11" 3/8	144 5" 3/4	- -	1,5°	350/770	--
5225/10.04	420 16" 1/2	600 23" 3/8	955 37" 3/8	525 20" 3/8	755 29" 7/16	220 8" 3/8	510 20"	290 11" 3/8	144 5" 3/4	137 5" 1/8	1,5°	350/770	--
5225/10.04	420 16" 1/2	600 23" 3/8	955 37" 3/8	525 20" 3/8	755 29" 7/16	220 8" 3/8	510 20"	290 11" 3/8	144 5" 3/4	137 5" 1/8	1,5°	350/770	--
5225/10.05	600 23" 3/8	600 23" 3/8	930 36" 3/8	525 20" 3/8	825 32" 1/2	220 8" 7/16	535 21"	295 11" 3/8	200 7" 7/16	145 5" 7/16	0°	350/770	--
5225/85.01	530 20" 3/8	535 21"	860 32" 3/8	625 24" 3/8	490 19" 3/8	260 10" 1/8	215 8" 3/8	245 9" 3/8	144 5" 3/4	137 5" 1/8	1,5°	350/770	--
5222/10.30	420 16" 1/2	615 24" 1/8	960 37" 3/8	640 25" 1/8	755 29" 3/4	295 11" 3/8	510 20"	295 11" 3/8	205 8"	165 6" 1/2	3°	350/770	--
5222/80.01	600 23" 3/8	600 23" 3/8	855 33" 3/8	700 27" 1/2	650 25" 3/8	480 19"	170 6" 3/4	155 6"	177 7"	160 6" 1/8	2°	500/1100	--
5222/11.01	530 21"	540 21" 1/4	1070 42"	695 27" 1/2	940 37"	645 25" 3/8	295 11" 3/8	465 18" 3/8	177 7"	160 6" 1/8	1°	600/1350	--
5222/12.18	685 27"	710 28"	1120 44" 1/16	695 27" 1/8	1005 39" 1/2	600 23" 3/8	255 10"	290 11" 3/8	177 7"	160 6" 1/8	12,5°	600/1350	--
5222/70.04	480 18" 3/16	480 18" 3/16	750 29" 1/2	600 23" 3/8	585 23"	215 8" 1/2	395 15" 1/2	75 3"	205 8"	160 6" 1/8	5°	600/1350	--
5222/80.05	420 16" 1/2	600 23" 3/8	785 30" 3/16	460 18" 1/8	670 26" 1/8	230 9"	275 10" 3/4	190 7" 1/2	177 7"	160 6" 1/8	12,5°	600/1350	--
5222/90.01	603 23" 3/8	613 24"	840 33" 3/8	450 17" 3/8	736 29"	420 16" 3/8	316 12" 3/8	283 11"	177 7"	137 5" 1/8	0°	600/1350	--
5222/90.15	620 24" 3/8	630 24" 7/8	885 34" 3/8	465 18" 1/8	710 28"	350 14"	360 14" 1/8	280 11"	177 7"	160 6" 1/8	0°	600/1350	--
5222/90.17	603 23" 3/8	613 24"	840 33" 3/8	450 17" 3/8	740 29"	420 16" 3/8	320 13"	285 11" 1/8	143 5" 3/8	137 5" 1/8	0°	600/1350	--
5222/90.18	700 27" 1/2	710 28"	910 35" 3/8	935 37"	715 28" 1/8	390 15" 3/8	325 12" 3/4	230 9"	177 7"	160 6" 1/8	2°	600/1350	--
5222/90.19	603 23" 3/8	613 24"	845 33" 3/4	470 18" 3/4	710 28"	400 15" 3/8	310 12" 1/8	275 10" 3/8	143 5" 3/8	137 5" 1/8	1°	600/1350	--
5222/90.30	560 22"	560 22"	860 33" 3/8	805 31" 7/16	835 32" 3/16	370 14" 1/2	265 10" 3/8	320 12" 3/8	177 7"	160 6" 1/8	14°	600/1350	--
5222/90.31	545 21" 3/8	545 21" 3/8	895 35" 1/8	685 27"	525 20" 3/8	260 10" 1/8	265 10" 3/8	315 12" 3/8	177 7"	160 6" 1/8	0°	600/1350	--
5222S90.33	590 23" 1/4	600 23" 3/8	830 32" 7/16	655 25" 3/8	685 27"	375 14" 3/8	310 12" 1/8	270 10" 3/8	177 7"	160 6" 1/8	0°	600/1350	--
5222/13.08	675 26" 3/8	675 26" 3/8	1315 51" 3/4	555 21" 9/16	915 36"	740 29" 1/16	175 6" 11/16	405 15" 9/16	210 8" 1/4	175 6" 7/16	4,5°	600/1350	--
5222/85.03	600 23" 3/8	600 23" 3/8	845 33" 1/4	405 15" 9/16	610 24"	410 16" 1/16	215 8" 1/2	180 7"	205 8"	170 6" 7/16	0°	600/1350	--
5222/90.41	540 21" 1/4	550 21" 3/8	860 33" 3/8	745 29" 3/8	920 36" 3/8	675 26" 3/8	275 10" 3/8	310 12" 1/8	210 8" 1/4	170 6" 7/16	15°	600/1350	--
5222/85.04	600 23" 3/8	600 23" 3/8	845 33" 1/4	405 15" 9/16	610 24"	410 16" 1/16	215 8" 1/2	180 7"	205 8"	170 6" 7/16	0°	600/1350	--
5222/10.28	725 28" 1/2	725 28" 1/2	1005 39" 3/8	600 23" 3/8	585 23"	350 13" 3/4	235 9" 1/4	150 5" 9/16	235 9" 1/4	185 7" 1/4	0°	600/1350	--
5222S10.29	525 20" 7/16	710 28"	1060 41" 3/4	625 24" 3/8	830 32" 7/16	830 32" 7/16	400 15" 3/4	430 16" 9/16	390 15" 1/2	205 8"	0°	600/1350	--
5222/10.17	550 21" 3/8	715 28" 1/2	1045 41" 1/8	905 35" 3/8	760 30"	530 21"	230 9"	235 9" 3/8	177 7"	160 6" 1/8	1,5°	700/1550	--
5222/10.22	550 21" 3/8	715 28" 1/2	1015 40"	800 31" 3/8	790 31"	530 21"	280 11"	560 22" 1/8	177 7"	160 6" 1/8	-1°	700/1550	--
5222/90.03	610 24"	620 24" 3/8	910 35" 3/8	625 24" 3/8	555 21" 3/8	330 13"	225 8" 3/8	250 9" 3/8	177 7"	160 6" 1/8	0°	700/1550	--
5222/90.04	590 23" 1/8	600 23" 3/8	855 33" 3/8	805 31" 3/8	730 28" 3/4	465 18" 1/2	265 10" 3/8	270 10" 3/8	177 7"	160 6" 1/8	0°	700/1550	--
5222/90.30	560 22" 1/8	560 22" 1/8	860 33" 3/8	805 31" 3/8	725 28" 1/2	460 18"	265 10" 3/8	320 13"	177 7"	160 6" 1/8	14°	700/1550	--

- LEAD TIME TO BE CONFIRMED

TENDER LIFT 5222/23/25

loading capacity 800 Kg



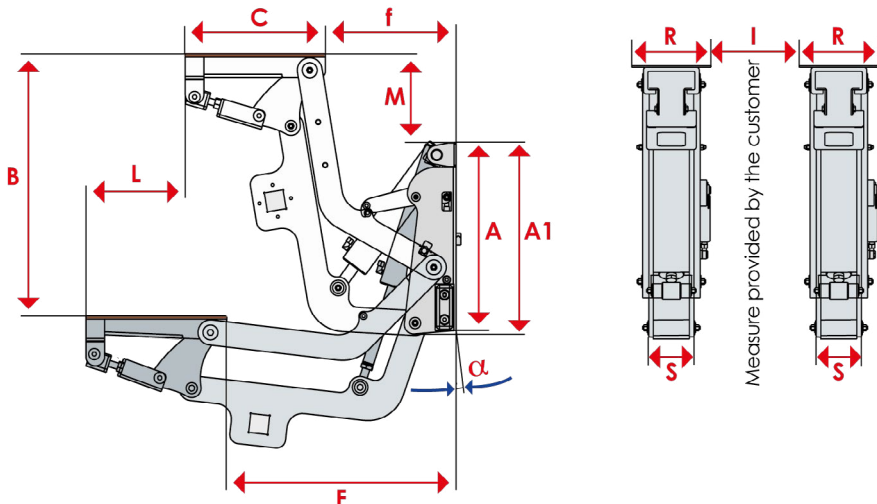
model	A (mm/ inch)	A1 (mm/ inch)	B (mm/ inch)	C (mm/ inch)	F (mm/ inch)	f (mm/ inch)	L (mm/ inch)	M (mm/ inch)	R (mm/ inch)	S (mm/ inch)	α	capacity standard (kg/lbs)	capacity optional (kg/lbs)
5222/10.01	700 27" 1/2	710 28"	990 39"	620 24" 3/8	845 33"	423 16" 3/8	422 16" 3/8	378 14" 4/8	177 7"	160 6" 1/8	0°	800/1770	--
5222/10.03	547 21" 1/2	715 28" 1/8	1039 40" 3/8	905 35" 3/8	785 31"	525 20" 3/8	275 10" 3/8	260 10" 1/8	177 7"	160 6" 1/8	1°	800/1770	--
- 5222/10.05	725 28" 1/2	735 29"	930 37"	805 31" 3/8	565 22" 1/8	320 13"	230 9"	135 5" 1/8	177 7"	160 6" 1/8	1°	800/1770	--
- 5222/10.10	725 28" 1/2	735 29"	930 37"	805 31" 3/8	895 35" 1/8	770 30" 3/8	125 5"	135 5" 1/8	177 7"	160 6" 1/8	1°	800/1770	--
5222/10.26	725 28" 1/2	735 29"	1005 39" 3/8	605 23" 3/8	585 23"	350 13" 3/8	235 9" 1/8	150 5" 3/8	177 7"	160 6" 1/8	0°	800/1770	--
- 5222/12.04	785 30" 3/8	795 31" 3/8	1230 48" 3/8	735 28" 3/8	905 35" 3/8	520 20" 3/8	385 15" 1/8	150 5" 3/8	280 11"	160 6" 1/8	0°	800/1770	--
- 5222/12.05	705 27" 3/8	715 28" 1/8	1120 44" 1/8	805 31" 3/8	1105 43" 3/8	810 32"	295 11" 3/8	430 17"	177 7"	160 6" 1/8	0°	800/1770	--
- 5222/13.01	785 31"	800 31" 3/8	1330 52" 1/8	755 29" 3/8	845 33" 3/8	515 20" 3/8	330 13"	325 12" 3/8	177 7"	160 6" 1/8	0°	800/1770	--
5222S13.10	605 23" 3/8	800 31" 3/8	1230 48" 3/8	635 25"	945 37" 3/8	505 19" 3/8	440 17" 1/8	320 12" 3/8	170 6" 3/8	160 6" 1/8	0°	800/1770	--
- 5222/80.02	590 23" 1/8	600 23" 1/2	760 30"	800 31" 3/8	680 26" 3/8	570 22" 3/8	110 4" 3/8	127 5"	143 5" 3/8	160 6" 1/8	5°	800/1770	--
5222/85.05	530 20" 3/8	540 21" 1/8	855 33" 3/8	900 35" 3/8	995 39" 3/8	635 25"	345 13" 3/8	465 18" 3/8	177 7"	160 6" 1/8	1°	800/1770	--
- 5222/90.05	610 24"	620 24" 3/8	885 34" 3/8	805 31" 3/8	550 21" 3/8	335 13"	215 8" 3/8	240 9" 3/8	177 7"	160 6" 1/8	1,5°	800/1770	--
5222/90.07	550 21" 3/8	550 21" 3/8	900 35" 3/8	685 27"	505 19" 3/8	270 10" 3/8	235 9" 1/8	300 11" 3/8	177 7"	160 6" 1/8	2°	800/1770	--
- 5222/90.09	615 24" 1/8	660 26"	910 35" 3/8	760 30"	505 19" 3/8	230 9"	275 10" 3/8	270 10" 3/8	177 7"	160 6" 1/8	-2°	800/1770	--
- 5222/90.20	505 19" 3/8	505 19" 3/8	900 35" 3/8	700 27" 1/2	760 30"	810 32"	-50 -2	180 7"	177 7"	160 6" 1/8	0°	800/1770	--
- 5222/90.22	610 24"	620 24" 3/8	890 35"	805 31" 3/8	590 23" 1/8	370 14" 1/2	220 8" 3/8	240 9" 3/8	177 7"	160 6" 1/8	1,5°	800/1770	--
5222/90.23	785 31"	795 31" 3/8	920 36" 1/8	935 37"	740 29"	475 18" 3/8	265 10" 3/8	125 5"	177 7"	160 6" 1/8	1,5°	800/1770	--
- 5222/90.24	603 23" 3/8	613 24"	840 33" 1/8	470 18" 3/8	720 28" 1/8	400 15" 3/8	320 13"	280 11"	143 5" 3/8	137 5" 1/8	1°	800/1770	--
5222/90.35	700 27" 1/2	710 28"	915 36"	935 36" 3/8	740 29"	380 15"	330 13"	235 9" 1/8	177 7"	160 6" 1/8	2°	800/1770	--
5222/90.48	575 22" 3/8	605 23" 3/8	900 35" 3/8	605 23" 3/8	640 25" 1/8	410 16" 1/8	230 9"	205 8"	230 9"	160 6" 1/8	0°	800/1770	--
- 5222/90.51	665 26" 1/8	665 26" 3/8	910 35" 3/8	1050 41" 3/8	575 22" 3/8	515 20" 1/4	110 4" 3/8	140 5" 1/8	245 9" 3/8	160 6" 1/8	1°	800/1770	--
5222/90.26	655 25" 3/8	655 25" 3/8	920 36" 1/8	755 29" 3/8	780 30" 3/8	535 21"	240 9" 3/8	250 9" 3/8	205 8"	185 7" 3/8	0°	800/1770	--
5222/90.38	605 23" 3/8	615 24" 3/8	850 33" 1/2	470 18" 1/2	720 28" 3/8	460 18" 1/8	245 9" 3/8	295 11" 3/8	185 7" 3/8	137 5" 1/8	0°	800/1770	--

Note: The declared lifting capacity is assured if the load is positioned in the middle of measure C. The loading capacity includes the total platform weight (at shipyard's care), the full loaded tender or the jet ski. Tender lift standard version is electro-polished only.

- LEAD TIME TO BE CONFIRMED

TENDER LIFT 5222/23/25

loading capacity 850 to 1100 Kg



model	A (mm/ inch)	A1 (mm/ inch)	B (mm/ inch)	C (mm/ inch)	F (mm/ inch)	f (mm/ inch)	L (mm/ inch)	M (mm/ inch)	R (mm/ inch)	S (mm/ inch)	α	capacity standard (kg/lbs)	capacity optional (kg/lbs)
- 5222/10.12	730 28" 3/8"	740 29"	1015 40"	755 29" 3/8"	530 21"	355 14"	175 7"	140 5" 1/2"	177 7"	160 6" 1/8"	3,5°	850/1770	--
- 5222/10.07	530 21"	540 21" 1/4"	985 38" 3/8"	900 35" 3/8"	965 38"	645 26"	320 13"	465 18" 1/2"	177 7"	160 6" 1/8"	1°	900/2000	--
5222S10.23	545 21" 1/2"	715 28" 1/8"	1045 41" 1/8"	905 35" 3/8"	755 29" 7/16"	525 20" 3/8"	230 9"	235 9" 1/4"	177 7"	160 6" 1/8"	1,5°	900/2000	--
5222/90.02	700 27" 1/2"	710 28"	900 35" 3/8"	625 24" 3/8"	660 26"	300 11" 3/8"	360 14" 1/8"	275 10" 3/8"	177 7"	160 6" 1/8"	0°	900/2000	--
- 5222/90.10	700 27" 1/2"	710 28"	905 35" 3/8"	955 37" 3/8"	780 30" 3/8"	485 19"	295 11" 3/8"	240 9" 3/8"	177 7"	160 6" 1/8"	1,5°	900/2000	--
- 5222/90.12	700 27" 1/2"	710 28"	910 35" 3/8"	825 32" 3/8"	720 28" 1/2"	385 15"	335 13"	240 9" 3/8"	177 7"	160 6" 1/8"	1,5°	900/2000	--
5222S10.24	790 31" 1/16"	790 31" 1/16"	1010 39" 3/8"	860 33" 9/16"	825 32" 1/2"	420 16" 1/2"	375 14" 3/4"	235 9" 1/4"	210 8" 1/4"	165 6" 1/2"	0°	900/2000	--
- 5222/10.14	530 21"	540 21" 1/4"	985 38" 3/8"	900 35" 3/8"	965 38"	645 26"	320 13"	465 18" 1/2"	177 7"	160 6" 1/8"	1°	1000/2200	--
5222S11.07	815 32"	1120 32" 1/4"	1120 44"	785 30" 9/16"	1000 39" 1/8"	805 31" 7/16"	205 8"	205 8"	177 7"	160 6" 1/8"	-0,5°	1000/2200	--
5222M12.19	800 31" 1/2"	800 31" 1/2"	1180 46" 1/2"	995 39" 1/8"	555 21" 3/8"	385 15" 1/2"	270 10" 3/8"	225 8" 3/8"	160 6" 3/16"	370 14" 3/8"	1°	1000/2200	--
5222S12.09	700 27" 1/2"	710 28"	1200 47" 1/4"	705 27" 3/4"	995 39" 1/8"	655 25" 3/8"	275 10" 3/8"	400 15" 3/8"	177 7"	160 6" 1/8"	3°	1000/2200	--
5222.90.46	605 23" 3/8"	620 24" 3/8"	840 33"	490 19" 3/8"	710 28"	390 15" 3/8"	320 12" 3/8"	285 11" 1/8"	143 5" 3/8"	137 5" 3/8"	0°	1000/2200	--
5222S90.50	500 19" 7/16"	655 25" 3/8"	920 36" 1/8"	755 29" 3/4"	780 30" 7/16"	535 21"	240 9" 3/8"	280 11"	205 8"	160 6" 1/8"	0°	1000/2200	--
5223S11.01	530 21"	550 21" 3/8"	1025 40" 1/8"	905 35" 3/8"	840 33"	570 22" 3/8"	290 11" 3/8"	465 18" 3/16"	370 14" 3/8"	215 8" 1/2"	-1°	1000/2200	--
5223/14.01	890 35"	890 35"	1440 56" 3/16"	545 21" 1/2"	615 24" 1/8"	220 8" 7/16"	390 15" 1/8"	55 2" 1/8"	236 9" 3/16"	215 8" 1/2"	0°	1000/2200	--
5223/14.02	860 33" 9/16"	890 35"	1440 56" 3/16"	455 17" 9/16"	615 24" 1/8"	220 8" 7/16"	390 15" 1/8"	55 2" 1/8"	235 9" 1/4"	215 8" 1/2"	0°	1000/2200	--
5222M12.09	715 28" 1/16"	715 28" 1/16"	1140 44" 3/8"	1140 44" 3/8"	635 25"	365 14" 3/8"	270 10" 3/8"	365 14" 3/8"	220 8" 3/16"	160 6" 3/16"	0°	1000/2200	--
5222M12P14	715 28" 1/16"	715 28" 1/16"	1200 47" 1/4"	1055 41" 1/2"	635 25"	365 14" 3/8"	290 11" 3/8"	405 15" 9/16"	210 8" 1/4"	170 6" 7/16"	0°	1000/2200	--
5222SM12.01	715 28" 1/16"	715 28" 1/16"	1200 47" 1/4"	1055 41" 1/2"	635 25"	365 14" 3/8"	290 11" 3/8"	405 15" 9/16"	220 8" 3/16"	170 6" 3/16"	0°	1000/2200	--
5222/10.20	785 31"	785 31"	1010 39" 3/8"	805 31" 3/8"	790 31"	330 13"	460 18"	290 11" 3/8"	177 7"	160 6" 1/8"	0°	1100/2425	--
- 5222/11.02	785 31"	795 31" 3/8"	1110 43" 3/8"	935 37"	640 25" 1/8"	475 18" 3/4"	165 6" 3/8"	125 5"	177 7"	160 6" 1/8"	1,5°	1100/2400	--
5222S11.08	746 29" 3/8"	752 29" 3/8"	1070 42" 1/8"	835 32" 9/16"	615 24" 3/8"	365 14" 3/8"	215 8" 1/2"	168 6" 3/8"	177 7"	160 6" 1/8"	2°	1100/2400	--
5222S12.11	700 27" 1/2"	705 27" 3/4"	1170 46"	905 35" 3/8"	620 24" 3/8"	420 16" 1/2"	200 7" 11/16"	305 12"	235 9" 1/4"	160 6" 1/8"	2°	1100/2400	--
- 5231/13.02	413 16" 1/4"	413 16" 1/4"	1265 49" 3/8"	715 28" 1/16"	833 32" 3/8"	592 23" 3/16"	411 16" 1/8"	628 24" 7/16"	280 11"	160 6" 1/8"	0°	1100/2400	--
5223.12.01	870 34" 1/4"	870 34" 1/4"	1130 44" 1/2"	645 25" 3/8"	883 34" 9/16"	330 13"	550 21" 3/8"	84 3" 3/8"	297 11" 7/16"	215 8" 1/2"	0°	1100/2400	--
5222S11.08	745 29" 1/4"	745 29" 1/4"	1075 42" 1/8"	835 32" 9/16"	615 24" 3/8"	350 13" 3/4"	230 9"	175 6" 3/8"	240 9" 3/8"	170 6" 3/16"	2°	1100/2400	--
5222/10.34	785 31"	785 31"	1015 40"	805 31" 7/16"	790 31" 1/16"	330 13"	455 17" 9/16"	285 11" 1/8"	235 9" 1/4"	170 6" 3/16"	0°	1100/2400	--
5222S10.21	785 31"	790 31" 1/16"	935 36" 3/8"	805 31" 7/16"	805 31" 7/16"	330 13"	470 18" 1/2"	285 11" 1/8"	235 9" 1/4"	177 7"	1°	1100/2400	--

- LEAD TIME TO BE CONFIRMED

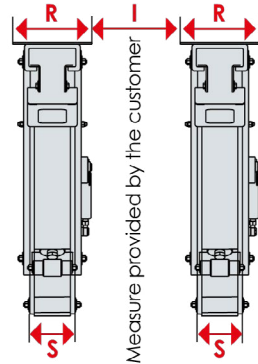
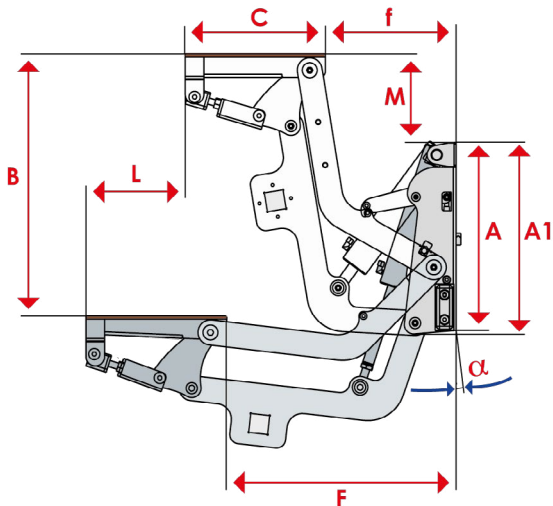
TENDER LIFT 5222/23/25

loading capacity 1200 to 2300 Kg



model	A (mm/inch)	A1 (mm/inch)	B (mm/inch)	C (mm/inch)	F (mm/inch)	f (mm/inch)	L (mm/inch)	M (mm/inch)	R (mm/inch)	S (mm/inch)	α	capacity standard (kg/lbs)	capacity optional (kg/lbs)
- 5222/12.04	860 33" 3/4	860 33" 3/4	1120 44" 1/8	1210 47" 3/8	890 35"	490 19" 1/8	400 15" 3/8	260 10" 1/8	177 7"	160 6" 1/8	10°	1200/2645	--
- 5222/12.08	805 32"	805 31" 3/8	1170 46" 1/8	755 29" 5/8	930 37"	550 21" 3/8	380 15"	340 13" 3/8	177 7"	160 6" 1/8	2°	1200/2645	--
5222SM12.17	884 34" 4/8	884 34" 4/8	1150 45" 1/4	1100 43" 3/8	530 20" 9/16	165 6" 1/2	316 12" 3/8	180 7"	177 7"	160 6" 1/8	2°	1200/2645	--
5222M12.08	755 29" 3/8	755 29" 3/8	1205 47" 9/16	1140 44" 9/16	635 25"	365 14" 1/2	290 11" 3/8	365 14" 1/2	210 8" 1/4	160 6" 1/8	0°	1200/2645	--
5222M90.01	715 28" 1/16	715 28" 1/16	1200 47" 1/4	1055 41" 1/2	635 25"	365 14" 1/2	290 11" 3/8	365 14" 1/2	210 8" 1/4	170 6" 3/8	0°	1200/2645	--
5222S12.10	805 31" 7/16	805 31" 7/16	1170 46"	755 29" 3/4	960 37" 3/8	530 20" 9/16	385 15" 1/16	360 14" 1/8	210 8" 1/4	170 6" 3/8	0°	1200/2645	--
5222S12.08	805 31" 7/16	805 31" 7/16	1170 46"	755 29" 3/4	960 37" 3/8	540 21" 1/4	395 15" 1/2	360 14" 1/8	210 8" 1/4	170 6" 3/8	0°	1200/2645	--
5223/10.02	550 21" 3/8	725 28" 1/2	1040 40" 9/16	900 35" 3/8	750 29" 1/2	525 20" 7/16	2525 99" 3/8	255 10"	285 11" 1/8	160 6" 1/8	2°	1200/2645	--
5223/13.09	890 35"	908 35" 3/4	1340 52" 3/4	1006 39" 3/8	1080 42" 1/2	900 35" 3/8	180 7"	243 9" 3/8	370 14" 1/2	215 8" 1/2	-0,5°	1200/2645	--
5223/14.01	890 35"	890 35"	1440 56" 7/16	545 21" 1/2	615 24" 1/8	220 8" 3/8	390 15" 3/8	55 2" 1/8	235 9" 1/4	215 8" 1/2	0°	1300/2865	--
5223/14.03	900 35" 3/8	900 35" 3/8	1440 56" 7/16	545 21" 1/2	615 24" 1/8	215 8" 1/2	400 15" 3/4	45 1" 3/4	235 9" 1/4	215 8" 1/2	0°	1300/2865	--
5223/13.02	890 35"	910 35" 8/16	1352 53" 1/8	1010 40"	720 28" 1/8	445 17" 1/2	235 9" 1/4	230 9"	370 14" 1/2	215 8" 1/2	0°	1350/2975	2000/4400
- 5223T13.10	700 27" 1/2	905 35" 3/8	1325 52" 1/8	1245 49"	570 22" 3/8	270 10" 3/8	1625 64"	370 14" 3/8	265 10" 3/8	160 6" 3/16	2°	1350/2975	--
5223/11.04	625 24" 3/8	-	1035 40" 9/16	920 36" 1/8	945 37" 3/8	845 33" 1/4	100 3" 9/16	325 12" 3/8	370 14" 3/8	245 9" 3/8	0°	1500/3305	--
- 5223/11.02	1055 41" 1/2	1055 41" 1/2	1075 42" 1/8	1020 40"	1460 57" 1/2	1205 47" 3/8	310 12" 1/8	272 10" 7/16	354 14"	229 9"	3°	1600/3500	2000/4400
5223/12.02	815 32"	820 32" 3/16	1150 45" 1/4	1020 40"	735 29" 9/16	350 13" 3/4	390 15" 3/8	330 13"	354 14"	229 9"	0°	1600/3500	--
5223M13.03	1055 41" 1/2	1055 41" 1/2	1285 50" 1/2	1020 40"	1340 52" 3/8	1010 40"	330 13"	280 11"	354 14"	229 9"	2°	1600/3500	2000/4400
- 5223/13.07	815 32"	870 34"	1250 49"	1020 40"	843 33"	364 14"	479 19"	408 16"	246 9" 3/8	229 9"	0°	1600/3500	--
5223M13.07	1054 41" 1/2	1060 41" 3/4	1320 52"	1403 55" 1/4	1465 57" 1/16	1202 47" 3/8	263 10" 1/8	261 10" 1/4	354 14"	229 9"	0°	1850/4080	--
- 5223M13.06	1054 41" 1/2	1109 43" 1/2	1317 52"	1020 40"	1465 57" 1/16	1202 47"	263 10" 1/8	251 10"	246 9" 3/8	229 9"	0°	2300/5071	--

- LEAD TIME TO BE CONFIRMED



BLOCK KIT WITH HYDRAULIC PISTONS (OPTIONAL)



PLATFORM ADJUSTMENT